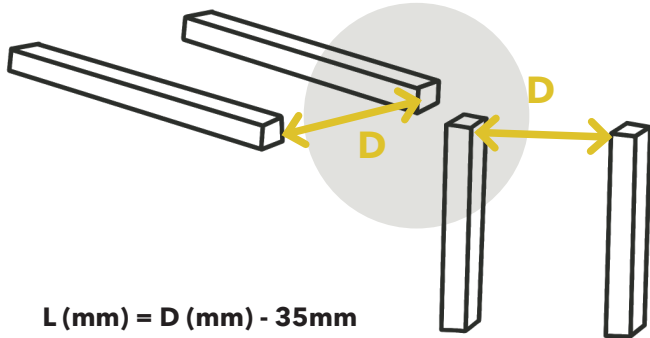


# INSTALLATION OF THE BLADES (WOOD OR ALUMINIUM)

1

Measure the space between the two supports (beams, joists, etc.), then subtract 35 mm; this allows the boards to be inserted with 5 mm clearance for expansion.



2

Cut this first blade to dimension L measured in step 1.  
For aluminum: cut with a fine multi-toothed blade.  
**Remember to wear goggles and gloves.**

4

Close the curved stops on each blade holder, either by hand or with flat-nose pliers. To avoid damaging the paint, place a cloth or piece of paper between the blade and the pliers.

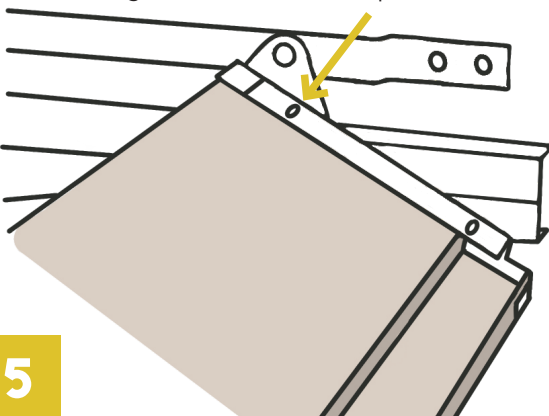
3

Insert the first blade, checking for the 5mm gap by moving it sideways.

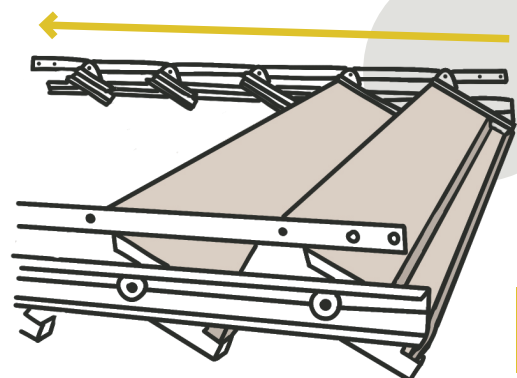
6

If everything looks OK, repeat the operation to install all the boards.

For wooden slats: **MANDATORY** fastening. Add a screw on each side of the slat.  
For aluminum slats: **RECOMMENDED** for windy regions. Add a screw on either side of the slat, but do not overtighten, to allow for expansion in summer.



5



*Tip: repeat the measurements regularly and adjust the length of the blades if the structure is not perfectly parallel.*

